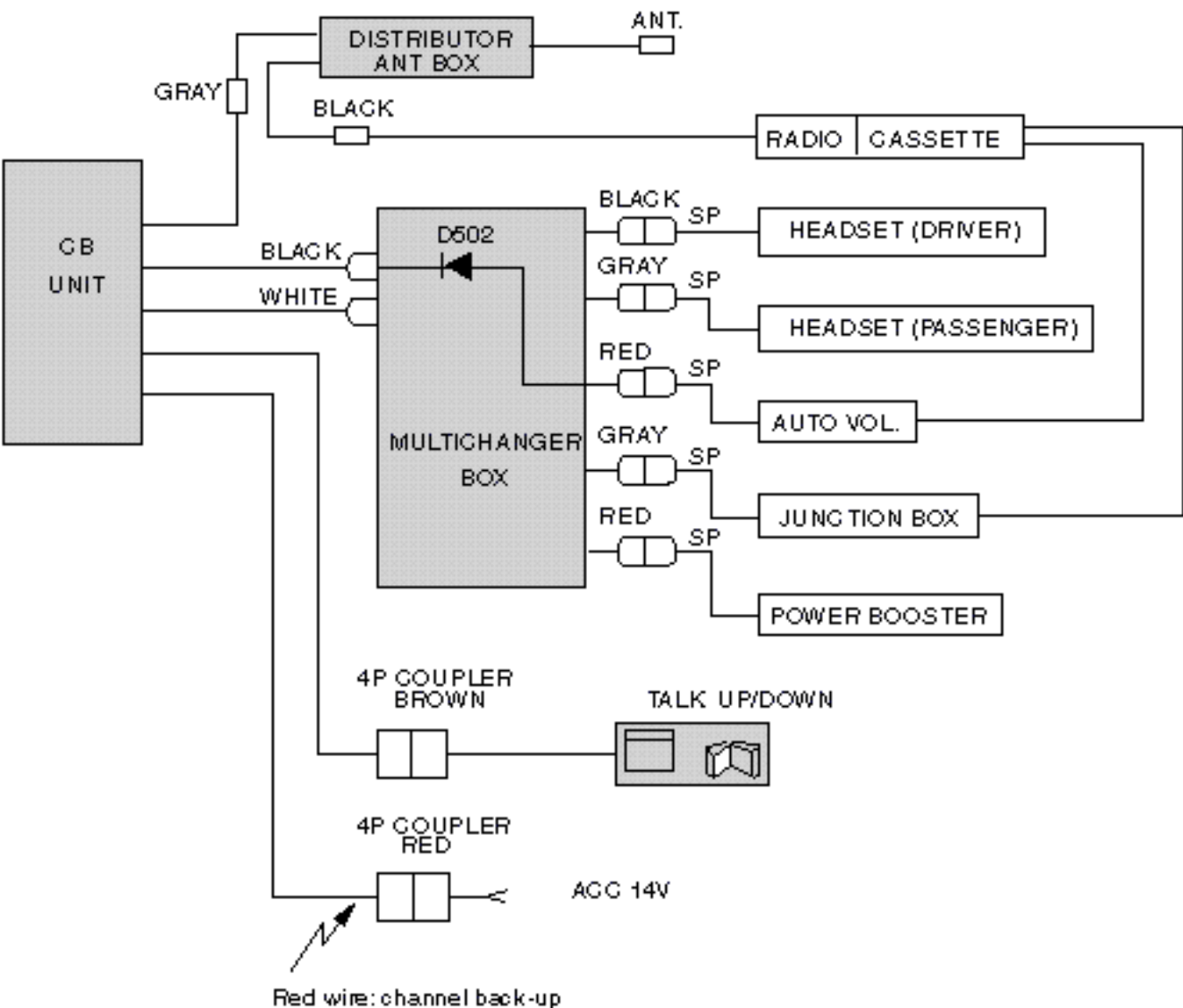


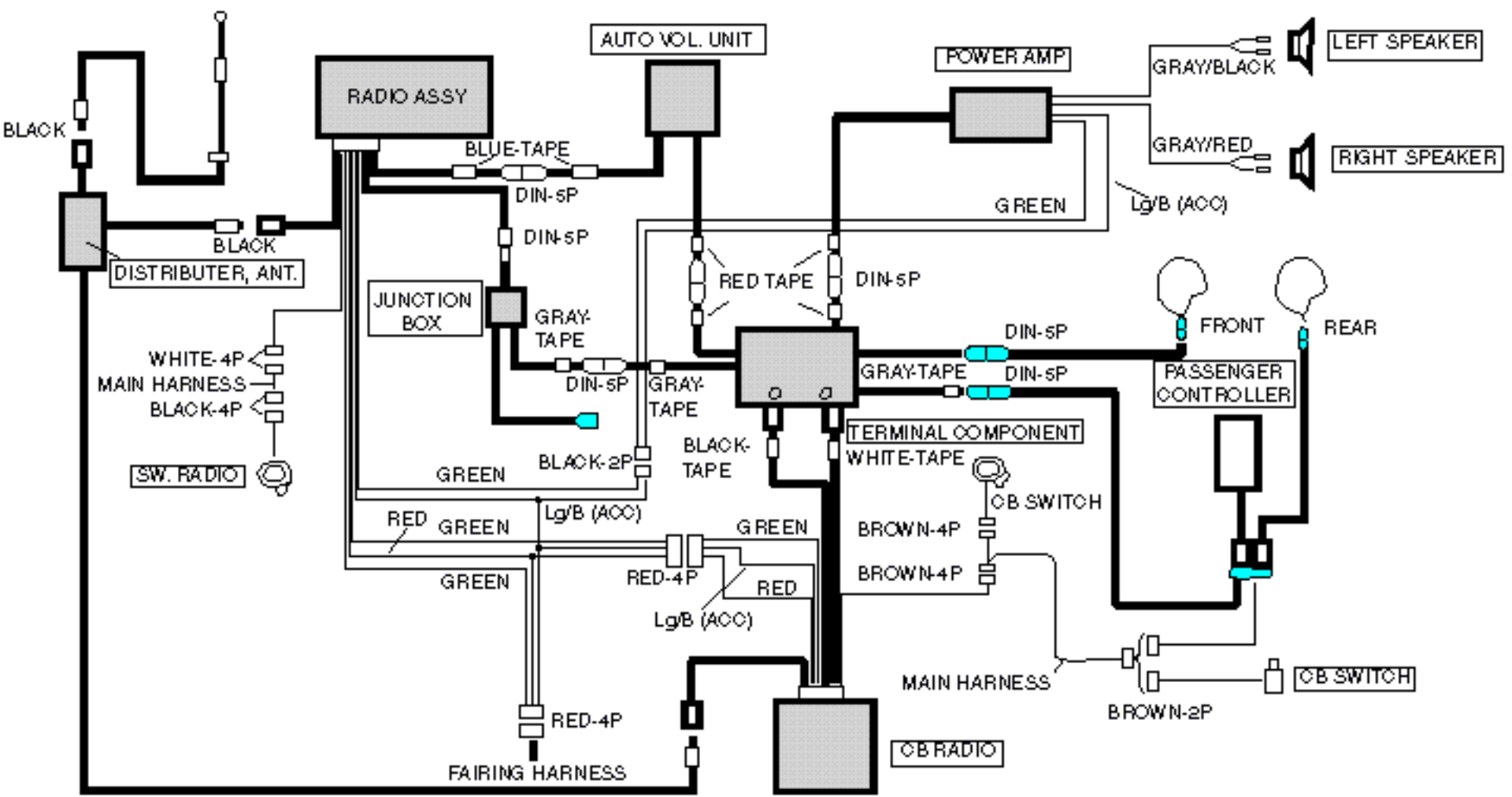
Goldwing GL1200 Connexions Radio-CB

CB Interconnects

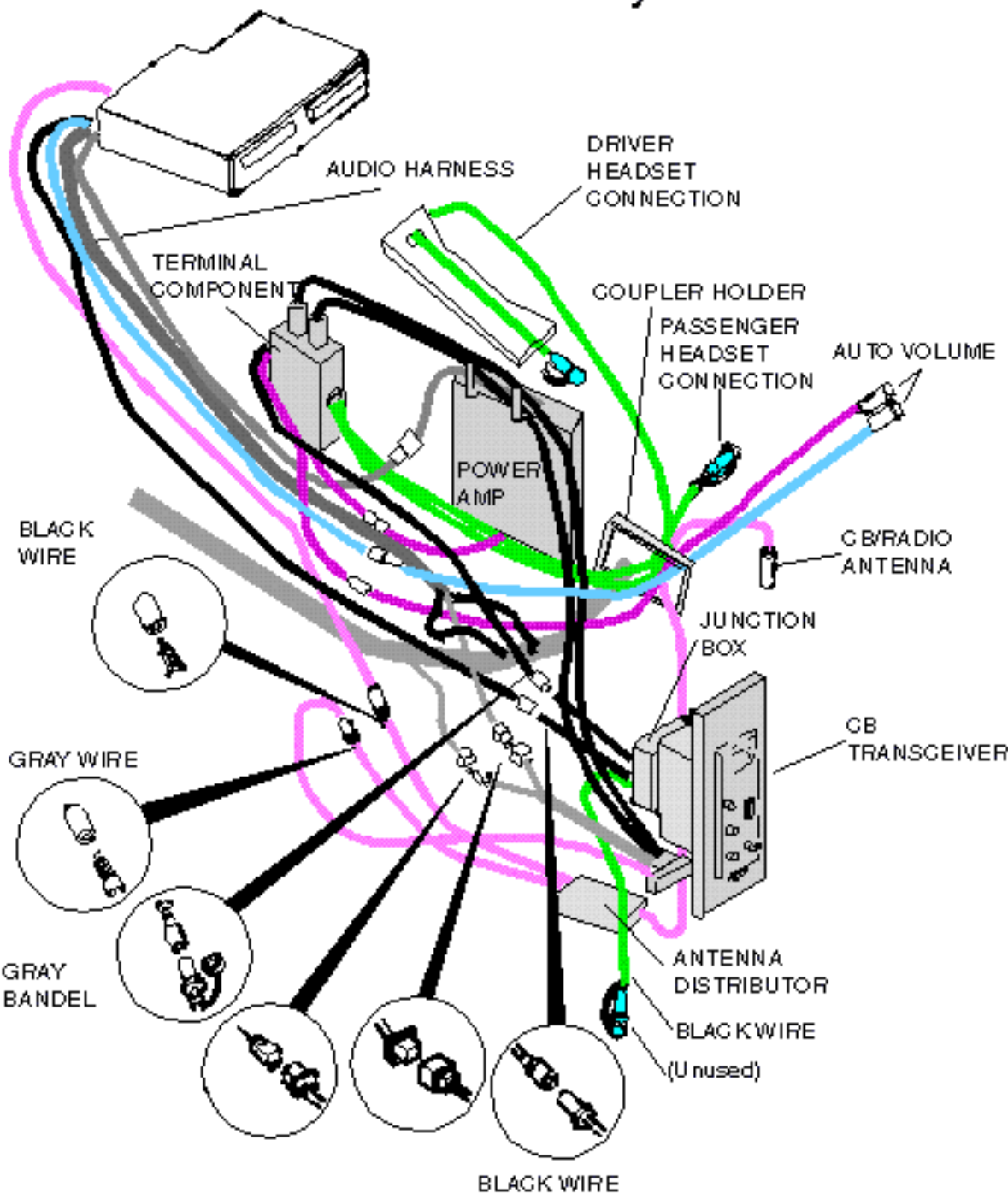


Component Interface

1986 Gold Wing SEi



Cable Layout



Multichanger Box Interconnect

Type 3 CB/Intercom

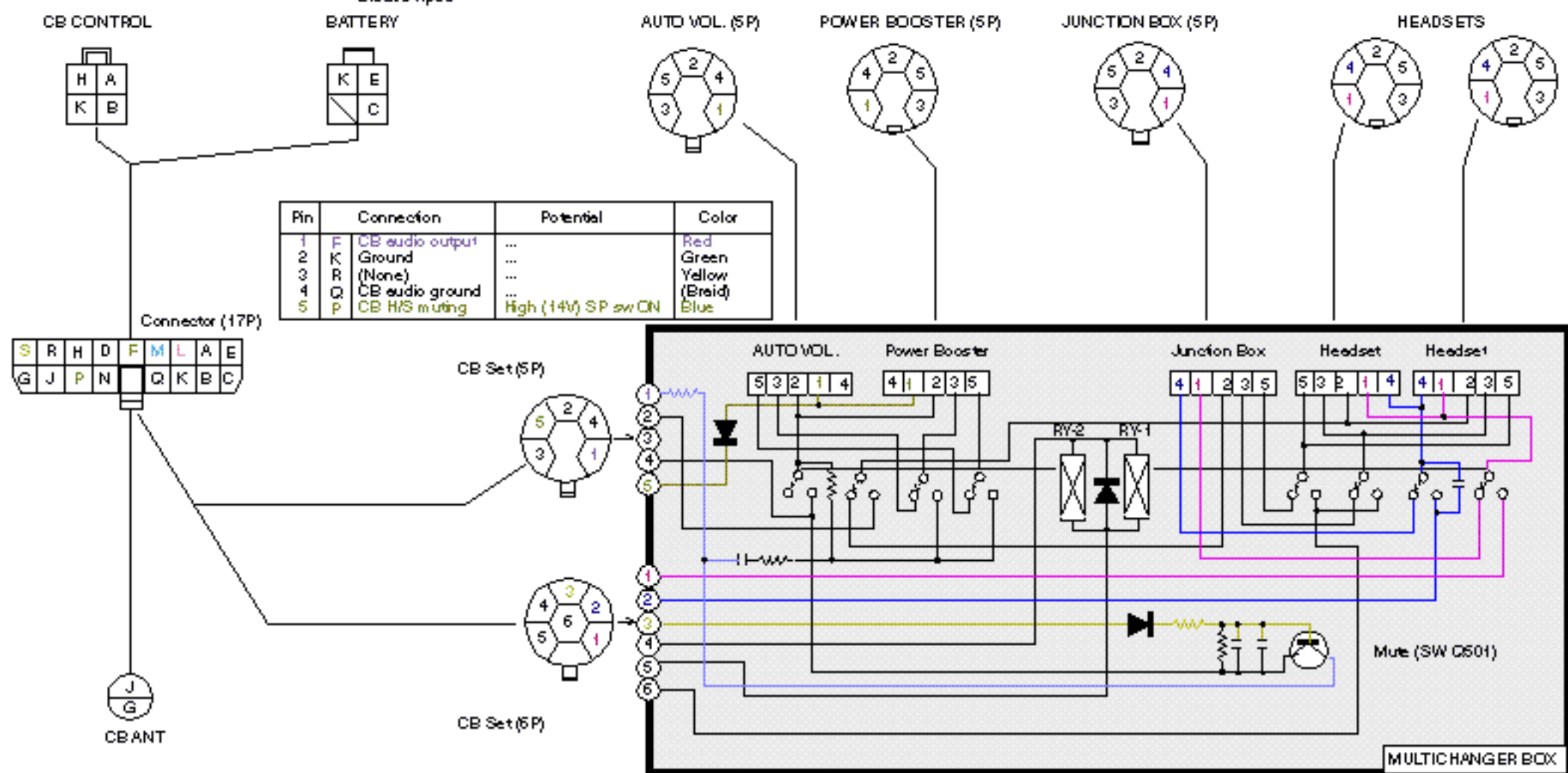
Pin	Connection	Potential	Color
A	Up/Down Control	Center (3V)	Grey
B	UP	High (6V)	Orange
K	DOWN, Ground	Green
H	TALK Control	High (8V) -- TALK sw OFF	White
C	Battery +B	High (14V)	L. Green*
K	Ground	...	Green
E	ADK +B	High (14V)	Red

*Black striped

Pin	Connection	Potential	Color
1	Power amp supply ctrl	High (14V), SP sw ON	Yellow
2	Ground	...	(Braid)
3	Left chan. power amp	...	White
4	(None)
5	Right chan. power amp	...	Red

Pin	Connection	Color
1	Microphone for radio	Red
2	Ground	Green
3	Radio H/S left chan.	Blue
4	Microphone ground (Braid)	(Braid)
5	Radio H/S right chan.	Yellow

Pin	Connection	Color
1	H/S microphone	Yellow
2	Ground	Black
3	H/S left channel	White
4	Microphone ground (Braid)	(Braid)
5	H/S right channel	Red



Pin	Connection	Potential	Color
1	F CB audio output	...	Red
2	K Ground	...	Green
3	R (None)	...	Yellow
4	Q CB audio ground	...	(Braid)
5	P CB H/S muting	High (14V) SP sw ON	Blue

Pin	Connection	Color
J	Antenna output	(Clear)
G	Antenna ground	(Braid)

Pin	Connection	Potential	Color
1	L CB microphone	...	Red
2	M CB micro. ground	...	(Braid)
3	S CB audio out/mute	High (8.3V) - at TX	Blue
4	C Relay +B	14V	Green
5	D Relay control	Low - SQ on	Yellow
6	N CB H/S output	...	White

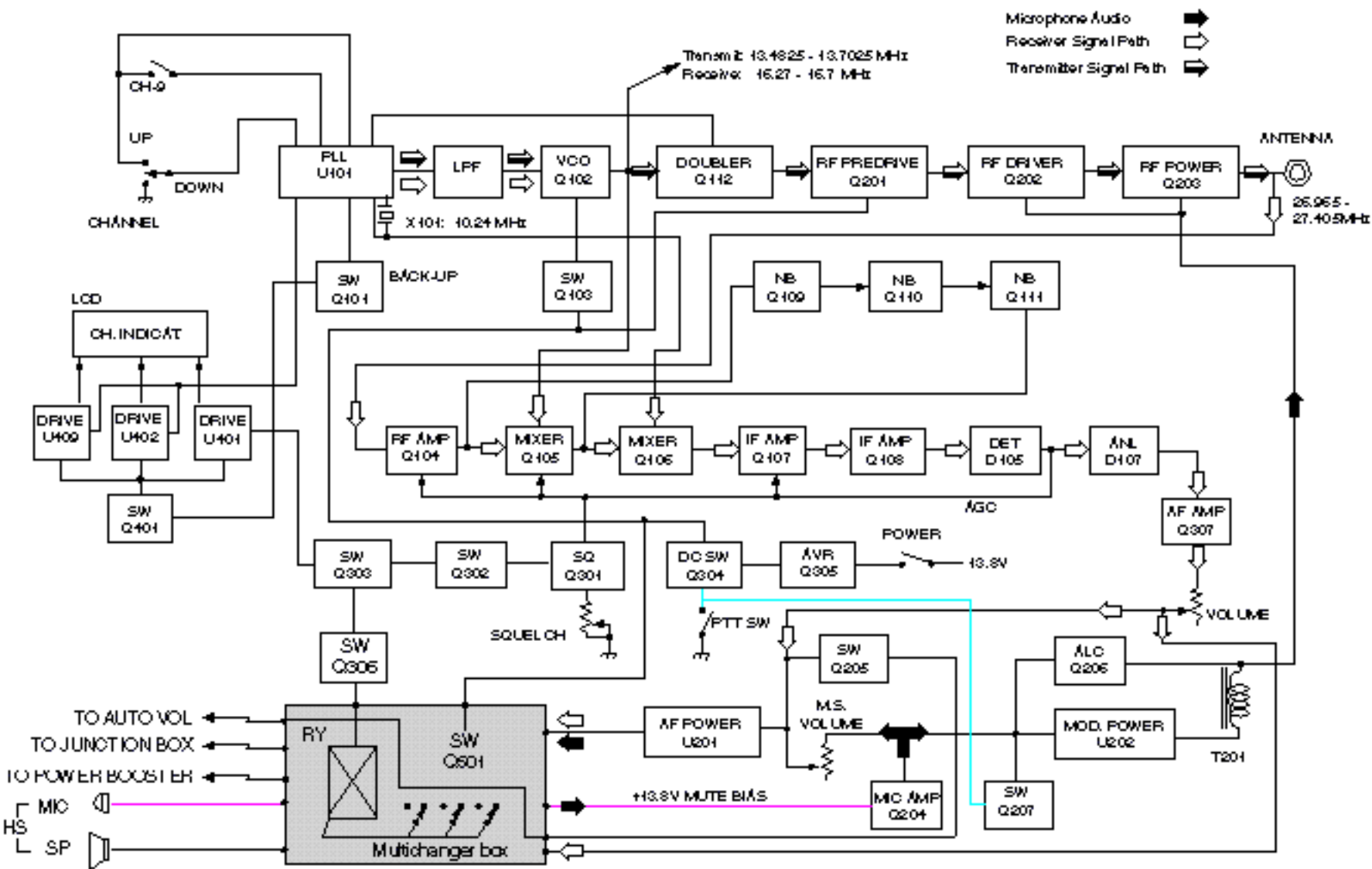
Relay picks when CB receives signal strong enough to overcome squelch or during CB transmit

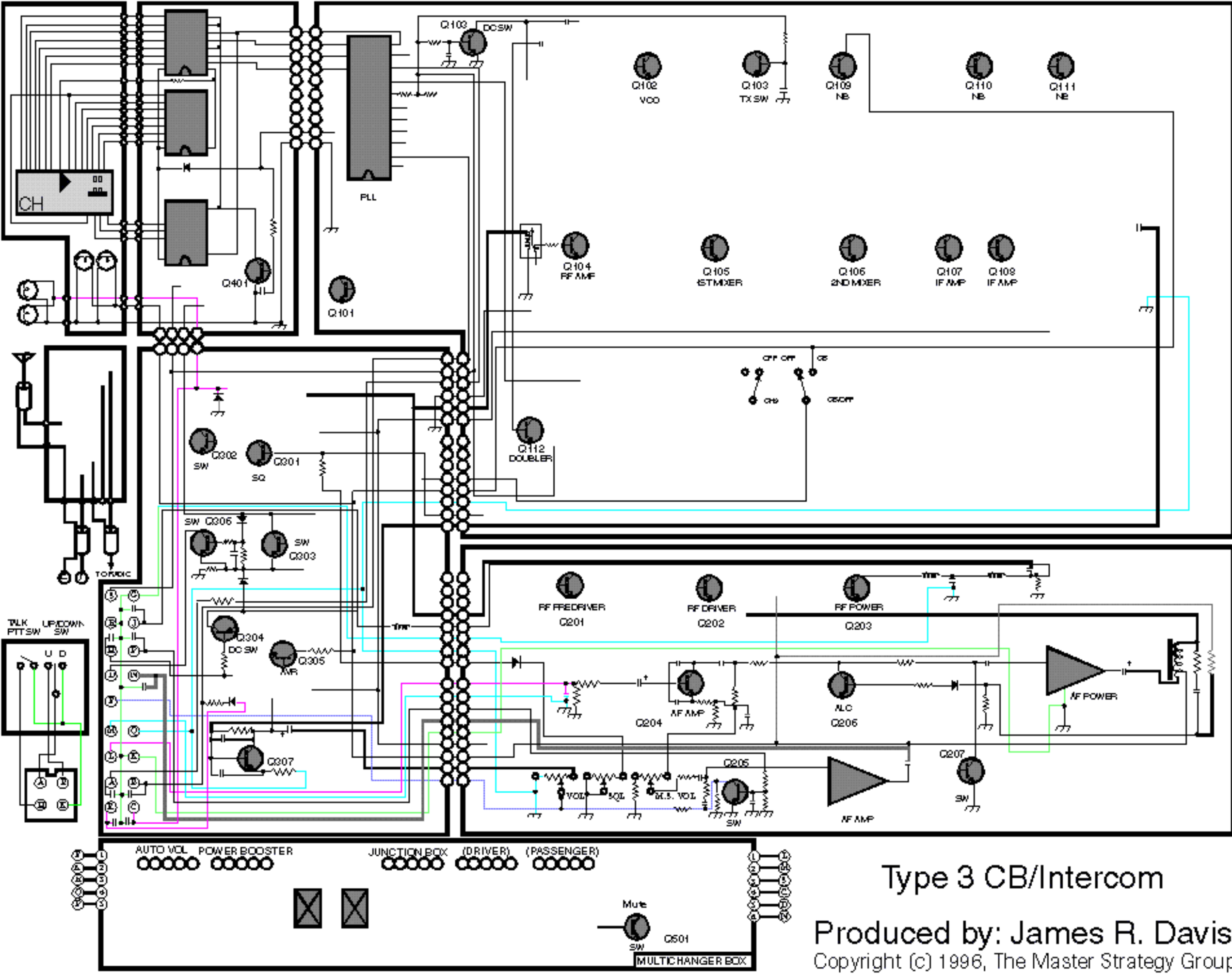
CB audio is muted when in transmit mode (PTT)

Produced by: James R. Davis
 Copyright (c) 1996, The Master Strategy Group

Block Diagram

Type 3 CB/Intercom





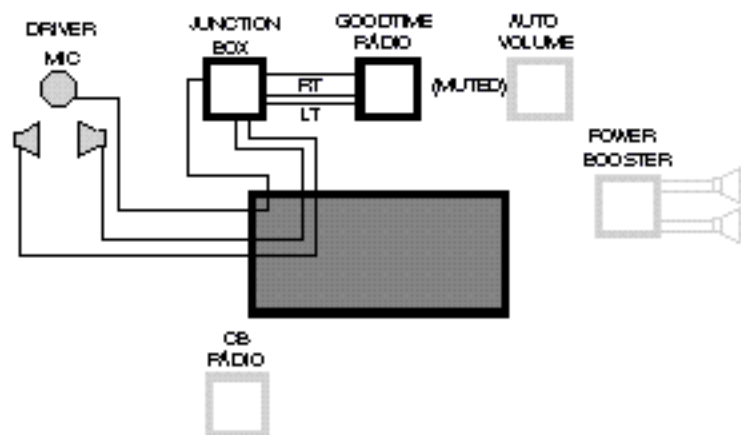
Type 3 CB/Intercom

Produced by: James R. Davis

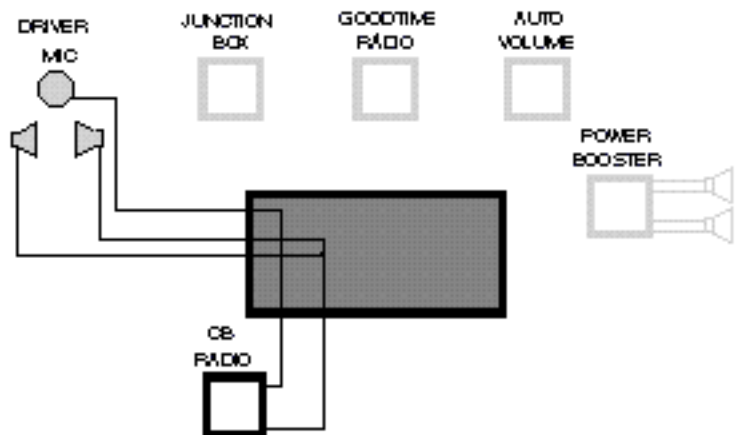
Copyright (c) 1996, The Master Strategy Group

MULTICHANGER FUNCTIONS

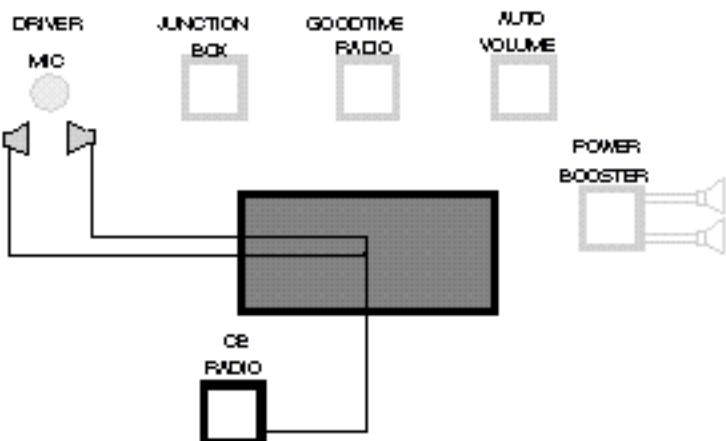
INTERCOM FUNCTION



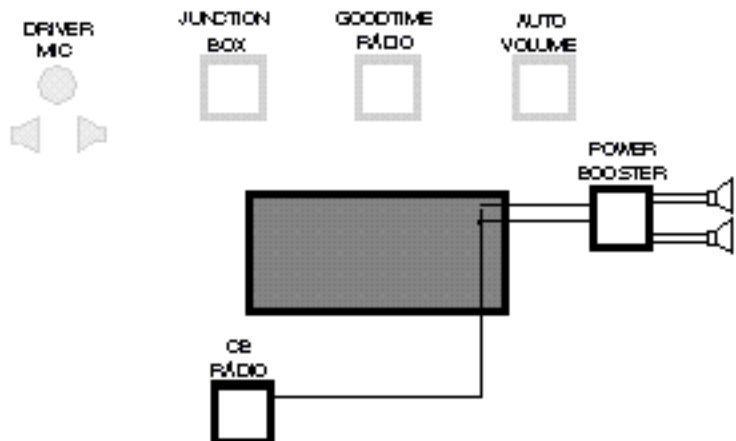
INTERCOM FUNCTION DURING CB RECEIVE



CB AUDIO RECEIVE - HEADSET



CB AUDIO RECEIVE - SPEAKER



Honda Type 3

CB HARNESS PLUG



Pin	Connection	Potential	Color
S	CB audio out mute	High (8.3V) -- at TX	Blue
R	(None)	...	Yellow
H	TALK Control	High (8.3V) -- TALK sw OFF	White
D	Relay control	Low -- SQ on	Yellow
F	CB audio output	...	Red
M	CB micro. ground	...	(Braid)
L	CB microphone	...	Red
A	Up/Down Control	Center (3V)	Gray
E	AIX +B	High (14V)	Red
G	Antenna ground	...	(Braid)
J	Antenna output	...	(Clear)
P	CB H/S muting	High (14V) -- SP sw ON	Blue
N	CB H/S output	...	White
Q	CB audio ground	...	(Braid)
K	DOWN, Ground	...	Green
B	UP	High (6V)	Orange
C	Battery +B	High (14V)	L. Green

Produced by: James R. Davis

Copyright (c) 1996, The Master Strategy Group